

NP1-LVDS

SDVO to LVDS Daughterboard

NP1-LVDS is a daughterboard that can be installed onto the SDVO connector of the NP101-D16C motherboard. It comes equipped with a LVDS LCD interface for connecting an external digital display device.

Specifications

Features

- Single/Dual LVDS transmitter up to 165Mpixels/s
- LVDS low jitter PLL accepts spread spectrum input
- LVDS 18-bit and 24-bit outputs
- 2D dither engine
- Panel protection and power sequencing
- High-speed SDVO1 serial (1G~2Gbps) AC-coupled differential RGB inputs
- Low voltage interface supports graphics device
- Programmable power management
- Fully programmable through serial port
- Configuration through OpCodes!
- Supports complete Windows driver
- Supports boundary scan

Chipset

- Chronitel CH7308B LVDS transmitter chip

Temperature

- 0°C to 60°C

Humidity

- 10% to 90%

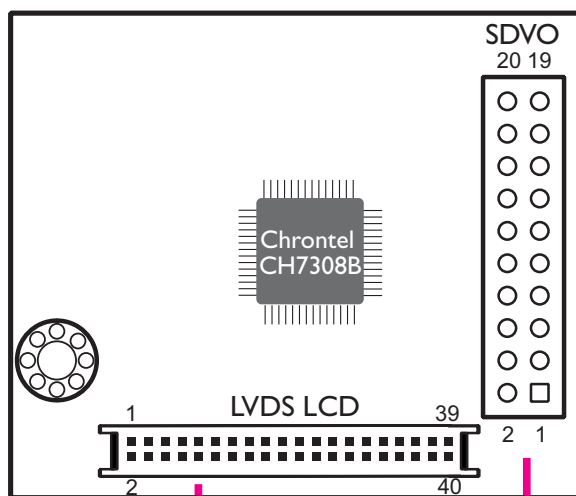
Dimensions

- 4.5cm x 3.8cm (1.77"x1.49")

Board Layout

Note:

The LVDS LCD connector transmits video signals from the board to the LCD panel. To transmit power signals to the LCD panel, connect the panel's cable to the LCD/Inverter power connector that is on the NP101-D16C motherboard. Refer to the NP101-D16C manual for its pin definition.



The SDVO connector is located on the solder side of the daughterboard. Connect this to the SDVO connector that is on the NP101-D16C motherboard.

